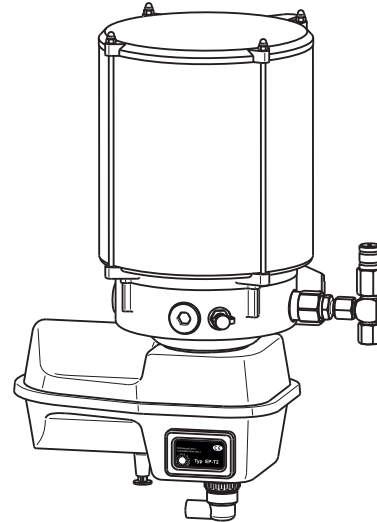




Integrated electronic controller type EP-T2

Contents:	Seite
General informations:	
1. Functional features and installation dimensions	1
2. Terminal diagram	1
3. Method of operation	2
4. Adjusting the parameters	2
Summaries:	
5. Ordering key pump	3
6. Retrofitting	3
7. Ordering key controller	4

Electric pump EP-1 with integrated controller EP-T2:



1. General information:

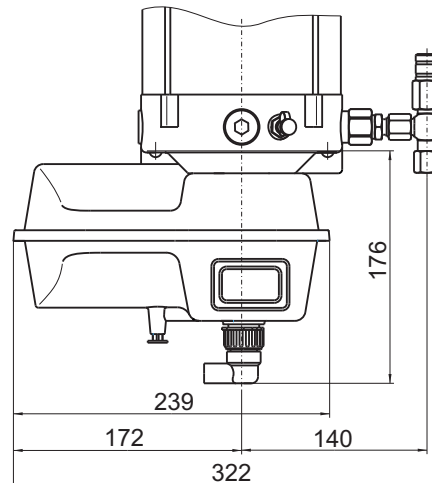
The integrated controller EP-T2 ensures time-out dependent control of the central lubrication pump EP-1 in progressive systems, especially on vehicles without continuous voltage supply, such as trailers or semi-trailers.

Technical data for controller:

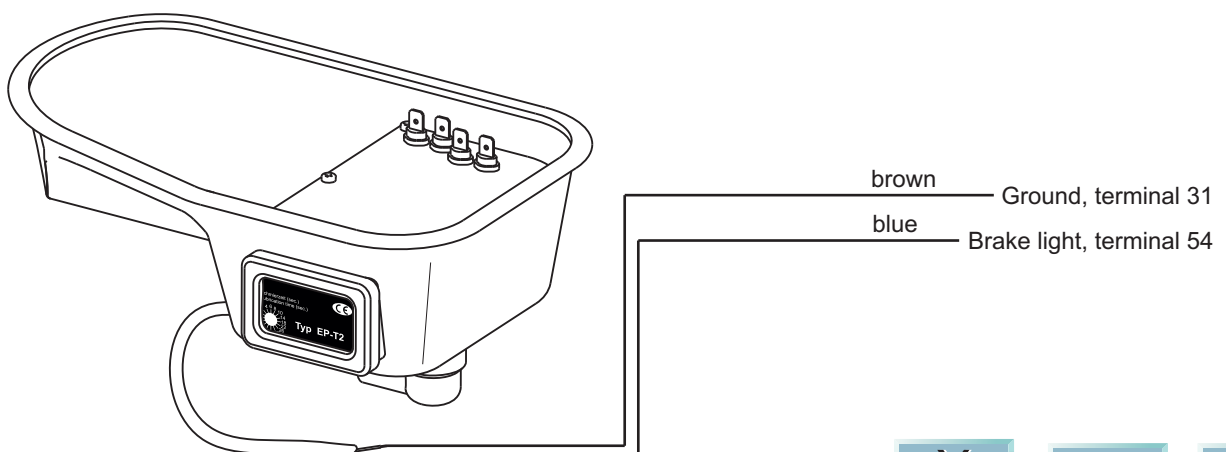
Operating voltage:	10 to 33 V DC
Max. current load:	I = 6.0 A
Fuse (not included in device):	F 6.3 A (5x20) medium
Temperature range:	-35°C to +75°C
Protection type:	IP 65

Installation dimensions:

The electrical pump EP-1 with integrated controller EP-T2 can be equipped with various reservoir versions. For the installation dimensions of the reservoir versions, see the description EP-1.



2. Terminal diagram:



EP-T2

Method of operation and adjusting the parameters

3. Method of operation:

Time-out dependent control of a central lubrication system means that the lubrication time can be set.

Power supply of the pump is ensured via the brake light.

The central lubrication pump can only supply lubricant if the brake light is supplied with power, i. e. if the driver actuates the brake.

On each brake actuation, lubrication is started and continues over the preset lubrication time. Once the lubrication time has elapsed, the pump is switched off, even if the duration of the braking procedure exceeds the preset lubrication time. If braking is interrupted before expiry of the lubrication time, the pump is switched off. If the braking procedure is interrupted briefly (less than 1 second), this is ignored by the controller.

4. Adjusting the parameters:

The lubrication time can be set by means of a graduating switch in the controller's sight glass.

To adjust the time setting, remove the red frame on the pump's motor housing using a flat screwdriver. Loosen the four Phillips screw and remove the transparent protective cover.

The lubrication time can be adjusted using a flat screwdriver.

If the cover plate is not replaced properly, water may enter the controller and damage it. In this case, the guarantee is no longer valid.

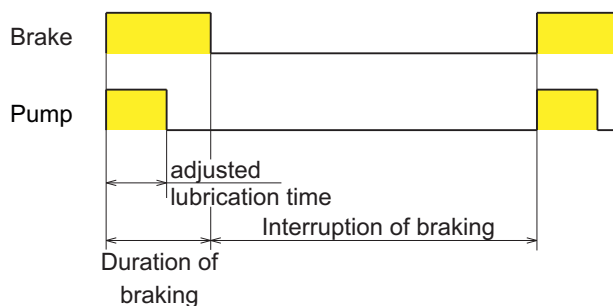
Adjusting the parameters:

Lubrication times:

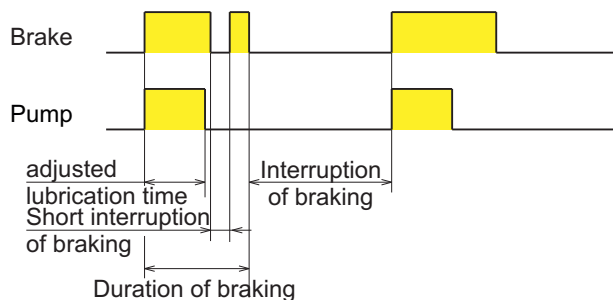
- 1 sec., 2 sec.,
- 4 sec., 6 sec., 8 sec., 10 sec.,
- 14 sec., 18 sec., 22 sec., 26 sec., 30 sec.,
- 36 sec., 42 sec., 48 sec., 54 sec., 60 sec.

Lubrication diagram:

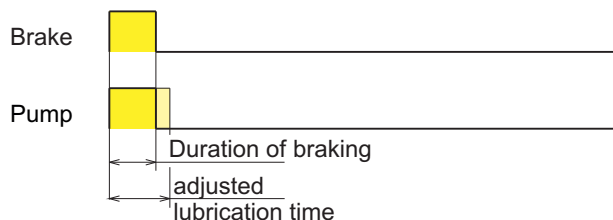
Braking longer than the lubrication time:



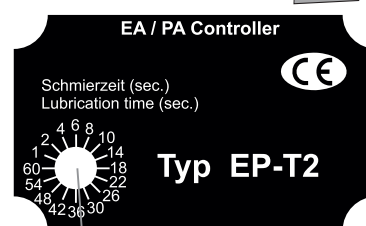
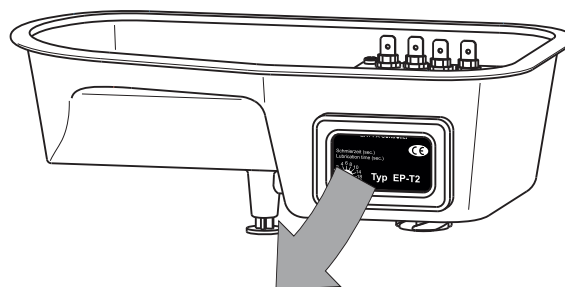
Braking with short interruptions:
(less than 1 sec.)



Braking shorter than the lubrication time:



Integrated electronic controller EP-T2:

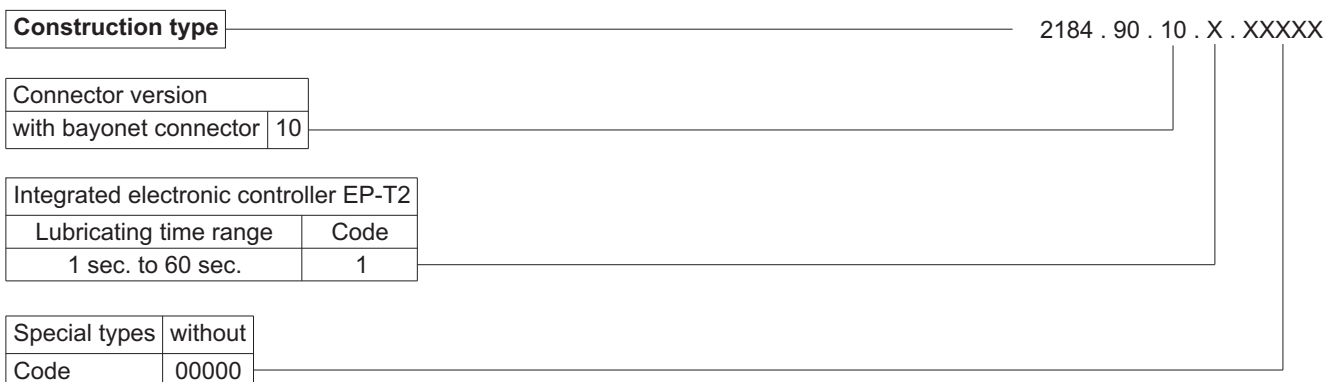


Graduating switch for setting the lubrication duration



EP-T2

7. Ordering key controller



Subject to alterations! © BEKA 2012 All rights reserved!

